

Volume of Cubes and Cuboids

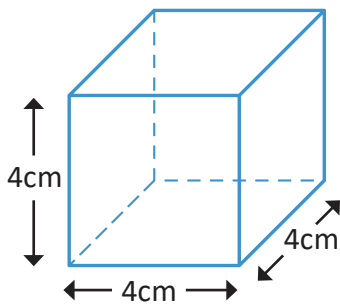
Task 1 – The formula we use to calculate the **volume** of **cubes** and **cuboids** is

.....

Use this to find the **volume** of these shapes. The shapes are **not** drawn to scale.

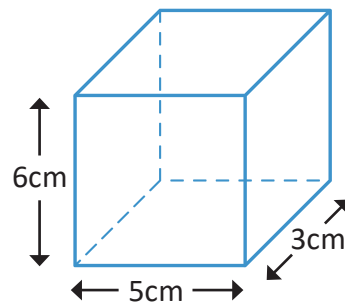
1. Volume =

.....



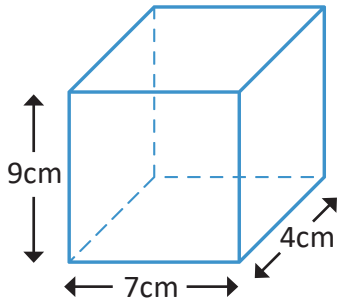
2. Volume =

.....



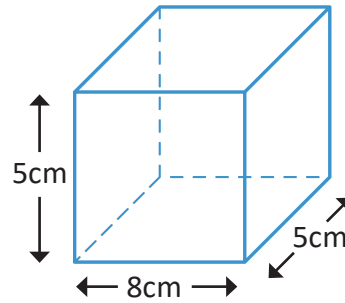
3. Volume =

.....



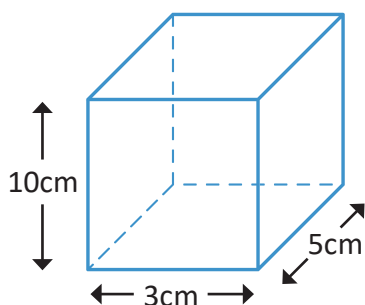
4. Volume =

.....



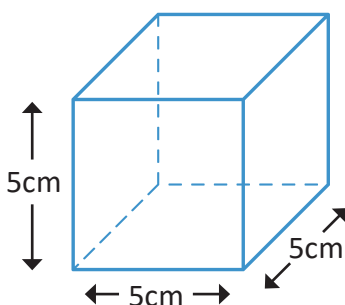
5. Volume =

.....

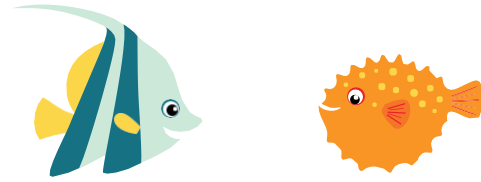


6. Volume =

.....

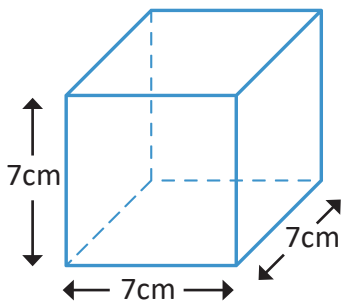


Volume of Cubes and Cuboids



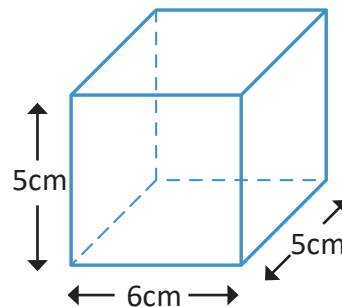
7. Volume =

.....



8. Volume =

.....



Task 2 – Use the $<$ $>$ and $=$ symbols to complete these number sentences.

1. Volume of shape 7

Volume of shape 2

2. Volume of shape 5

Volume of shape 8

3. Volume of shape 1

Volume of shape 4

4. Volume of shape 6

Volume of shape 3



